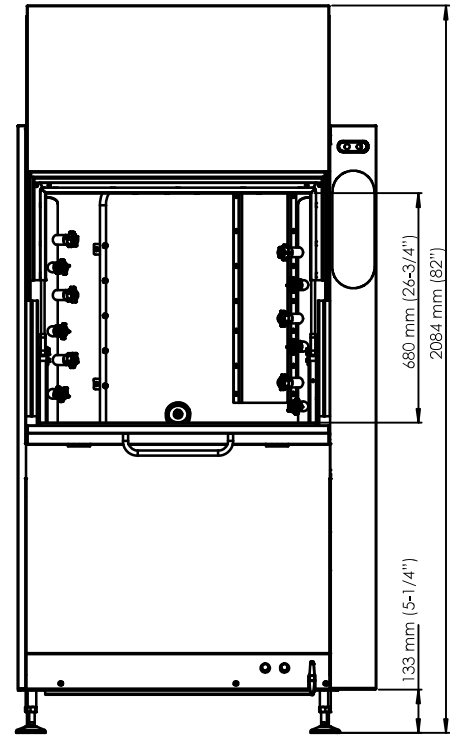
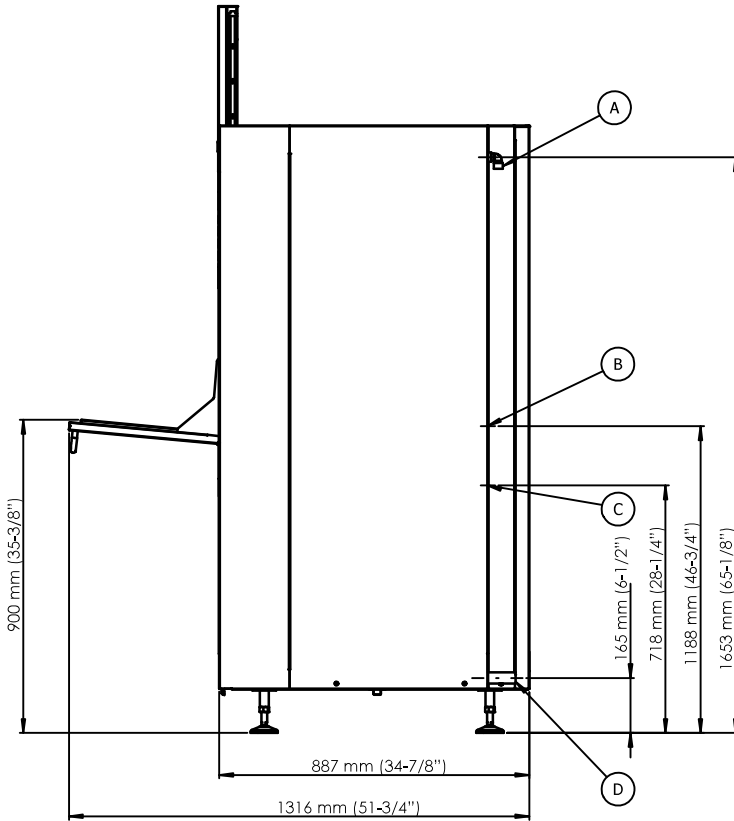


# INSTALLATION DRAWING.

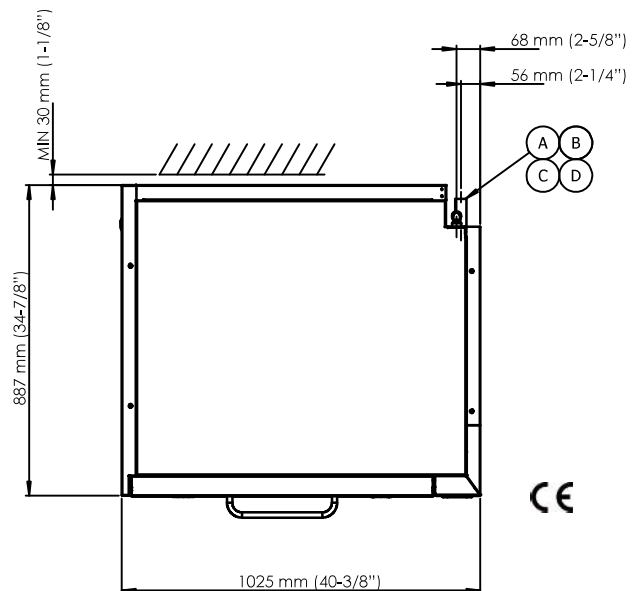
A. Water connection: 3-10 gpg, 4 gals./min B. Detergent connection C. Electrical connection: 40 A D. Drain: Ø 1-1/4". Minimum capacity 13 gals./min  
 Important Note: Ventilation capacity: 300 CFM.

Important Note: All dimensions from floor +/- 1" due to adjustable feet



| TECHNICAL SPECIFICATION                                   | Hot water connection (standard)<br>3-ph/208 V/60Hz<br>3-ph/240 V/60Hz            |
|---|--|
| Wash program lengths                                      | 3 min - gloves/helmets/boots<br>8 min - SCBA                                     |
| Normal capacity per hour program length includes handling | 14 SCBA* or up to 60 helmets, or up to 120 pairs of gloves, or 40 pairs of boots |
| Wash temperature  | 110-131 °F   |
| Water supply  | 3-10 gpg   |
| Pressure, incoming water                                  | 14,5-87 psi  |
| External dimensions<br>H x W x D                          | 69" (open 82") x 40" x 35" (open 52")  |
| Fuse  | 40 A   |

\* single or double cylinders, with or without breathing mask.



**RESCUE INTELLITECH Inc.**  
 19308 Morton Road, Suite 105, Katy, TX 77449  
 Email: sales@rescue-tech.com  
 www.solorescue.com  
 Phone: 1-832-321-3260

Manufactured in Sweden in a CO<sub>2</sub> neutral production process according to ISO 9001:215 and ISO 14001:215.

