

Solo Rescue®
DECON WASHERS

Helping Firefighters Fight Cancer

Easy decon of SCBA, Helmets,
Facepieces, Boots, Gloves and Tools.
Decon For Heroes.



Developed in
cooperation with



Developed to help firefighters fight cancer

Studies show that firefighters run a significantly higher risk of being diagnosed with, and dying from, various forms of cancer than the general U.S. population. This is due to the hazardous chemicals and carcinogenic particles they are exposed to in the line of duty. To reduce this exposure and the resulting cancer risk, it is essential to thoroughly, safely and efficiently clean and decontaminate all protective equipment after every use. That is exactly what the Solo Rescue® Decon Washer does. Cleaning gear in the Solo Rescue means less exposure to cancer causing PAH particles and a safer work environment for you and your fellow firefighters.

Optimized cleaning process

The Solo Rescue Decon Washer was developed in close cooperation with the Swedish Rescue Services and the organization Healthy Firefighters to meet the needs for cleaning contaminated equipment in the best way possible. The goal was to develop a healthier way to decontaminate SCBA and other protective gear from hazardous toxins and carcinogens, mainly PAH particles. The unique Solo Rescue system features a rotating basket that enables the water jets to reach even the most inaccessible parts of your equipment. To maximize the results, we recommend using ProBlend SCBA detergent*, specially developed together with Solo Rescue for the sole purpose of maximizing the results of cleaning contaminated SCBA equipment.



*Dosing equipment for detergent is sold separately and can be ordered with your machine purchase or directly from your local ProBlend distributor.

Cleaning contaminated gear by hand is a health risk

When you are fighting a fire your protective gear, including SCBA, helmet, facepiece, boots and gloves, will become contaminated with soot particles and combusting gases. Some of these particles are cancer-causing chemicals that pose a real threat to your health. Decontaminating the protective gear immediately upon return to the station is therefore of outmost importance. Cleaning the equipment by hand though, can be both time consuming and hard work and poses a health risk due to unprotected exposure to the carcinogens. With the Solo Rescue you will minimize your exposure and let the machine do the job for you in just a few minutes.

Minimize exposure & risk of recontamination

While handling fire protective gear it is important to reduce the time of exposure to hazardous toxins and carcinogens. Establishing procedures to handle contaminated gear in a controlled and safe way is one way of minimizing this risk.

With the Solo Rescue the entire cleaning process is carried out inside the machine, ensuring minimum exposure for the staff. It has a lower door that folds out, acting as a loading table when opened. This ergonomic process minimizes manual contact with contaminated materials. Simply put the contaminated equipment in the machine, close the hatch and start the cleaning program.

Clean gear in less than 10 minutes

The Solo Rescue offers the easiest, quickest and safest way of cleaning contaminated SCBA's, facepieces, helmets, boots and gloves. You can choose between a 3 min cycle for gloves and boots or an 8 min cycle for SCBA's, facepieces and helmets. It has a capacity of cleaning up to 14 SCBA's (including facepiece), 56 facepieces, 21 helmets, 60 boots and 120 pairs of gloves per hour. Make sure to follow your manufacturers washing instructions.



14

SCBA
per hour



21

HELMETS
per hour



56

FACEPIECES
per hour



60

PAIRS OF BOOTS
per hour



120

PAIRS OF GLOVES
per hour



Everything you need to clean your SCBA, facepieces, boots, gloves and helmets – all in one machine

All you need to clean single and double cylinder SCBA is included with standard delivery of Solo Rescue. The heavy duty basket is used at all times and is paired with accessories to wash different gear. The SCBA holders are placed over the center bracket of the basket. Place the gear holder accessory in the bottom of the heavy duty basket to load and wash facepieces, helmets, gloves and boots. Full capacity requires two gear holders (one is included as standard equipment).



Gear holder for facepieces, helmets, gloves and boots. One holder is included.



Holder for SCBA single/double cylinders. One holder is included.



Holder for SCBA jumbo cylinders. One holder is included.



Trolley. Not included but available as optional accessory.



Heavy duty basket with holder for SCBA single/double cylinders and one gear holder for facepieces, helmets, gloves and/or boots.



Heavy duty basket with two gear holders for facepieces, helmets, gloves and/or boots (one is included).



Heavy duty basket with one gear holder for facepieces, helmets, gloves and/or boots.

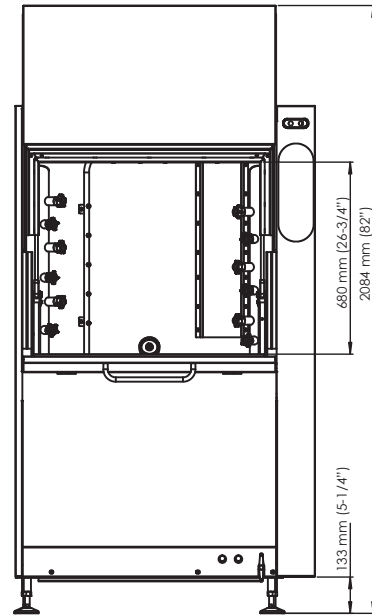
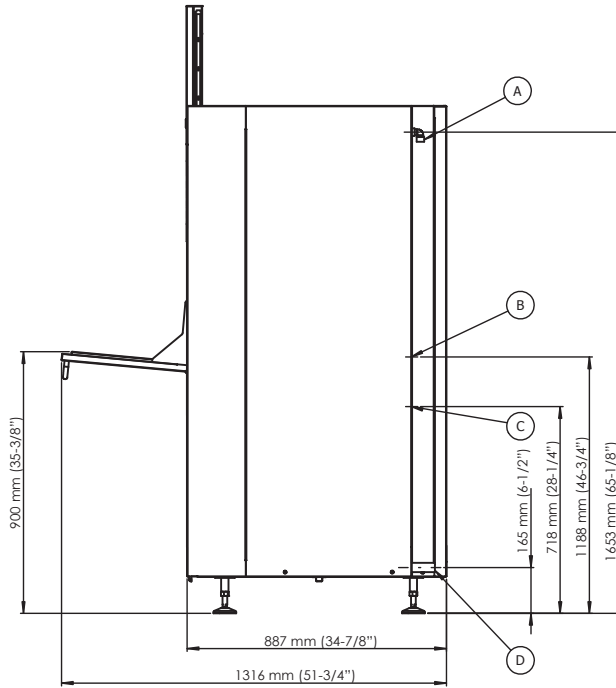


Heavy duty basket with holder for SCBA single/double cylinders.

Installation drawing

A. Water connection: 3-10 gpg, 4 gals./min (15 l/min) B. Detergent connection C. Electrical connection: 40 A D. Drain: Ø 1-1/4". Minimum capacity 13 gals./min. (50 l/min)

Important Note: All dimensions from floor +/- 1" due to adjustable feet



Technical specification

Power supply	3-ph/208 V/60Hz 3-ph/240 V/60Hz
Wash program lengths	3 min - gloves/boots, 8 min - SCBA/facepiece/helmets
Normal capacity per hour program length includes handling	14 SCBA* or up to 21 helmets, or up to 120 pairs of gloves, or 40 pairs of boots
Wash temperature	104–130°F (40-55°C)
Water supply	3–10 gpg**, Max 104°F (40°C)
Pressure, incoming water	14.5–87 psi
External dimensions H x W x D	69" (open 82") x 40" x 38" (open 52") (1744 (open 2084) x 1025 x 887 (open 1316) mm)
Fuse	40 A
Weight (empty machine)	525 lbs (238 kg)
Tank volume	29 gallons (108 liters)



Manufactured in Sweden according to ISO 9001 and ISO 14001.

*Single or double cylinders, with or without facepiece. **For best cleaning performance we recommend 3–7 gpg.

RESCUE Intellitech disclaims liability for any personal injury, property, or other damages of any nature whatsoever resulting from the use of the Solo Rescue that does not correspond with the washing instructions of each individual PPE manufacturer.

