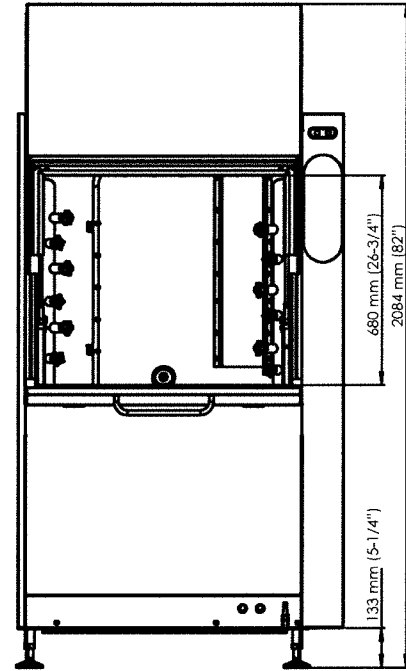
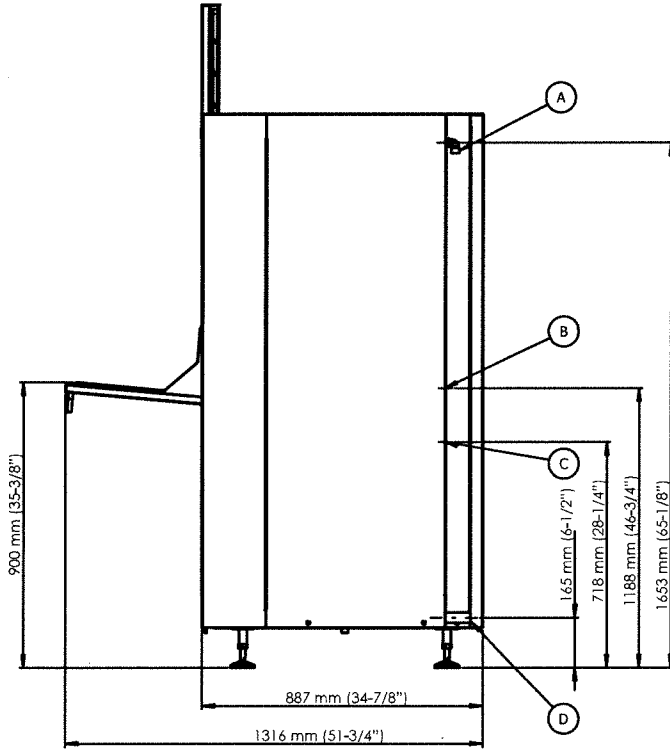


INSTALLATION DRAWING.

A. Water connection: 3-10 gpg, 4 gals./min B. Detergent connection C. Electrical connection: 40 A D. Drain: Ø 1-1/4". Minimum capacity 13 gals./min
 Important Note: Ventilation capacity: 300 CFM.

Important Note: All dimensions from floor +/- 1" due to adjustable feet



TECHNICAL SPECIFICATION	Hot water connection (standard) 3-ph/208 V/60Hz 3-ph/240 V/60Hz
Wash program lengths	3 min - gloves/helmets/boots 8 min - SCBA
Normal capacity per hour program length includes handling	14 SCBA* or up to 60 helmets, or up to 120 pairs of gloves, or 40 pairs of boots
Wash temperature	110-131 °F
Water supply	3-10 gpg
Pressure, incoming water	14,5-87 psi
External dimensions H x W x D	69" (open 82") x 40" x 35" (open 52")
Fuse	40 A

* single or double cylinders, with or without breathing mask.

